



Product Description

The PaxScan 4336W v4 is a light weight, wireless flat panel detector designed for digital radiographic systems. The 4336W v4 fits standard 14"x17" bucky trays and its wireless communication enables easy migration between table, above the table, chest stand, and mobile cart applications. The 4336W v4 works with commercially available Access Points, or as a stand-alone Access Point. The receptor SDK allows for direct integration into existing systems.

Technical Specifications

Receptor Type Amorphous Silicon with TFT/PIN diode Technology
 Conversion Screen Csl, DRZ+

Pixel Area

Total 42.7 (v) x 34.4 (h) cm (16.8 x 13.5")
 Active (DRZ+) 42.4 (v) x 34.1 (h) cm (16.7 x 13.4")
 Active (Csl) 42.4 (v) x 33.9 (h) cm (16.6 x 13.3")

Pixel Matrix

Total 3,072 (v) x 2,476 (h)
 Active (DRZ+) 3,052 (v) x 2,456 (h)
 Active (Csl) 3,032 (v) x 2,436 (h)
 Pixel Pitch 139 µm
 Limiting Resolution 3.6 lp/mm
 Automatic Exposure Detection (AED) via vTrigger

Image Quality

	GADOX (typical)	CSI (typical)
DQE @ 0 lp/mm	39%	70%
DQE @ 1 lp/mm	28%	44%
DQE @ 2 lp/mm	17%	38%
DQE @ 3 lp/mm	7%	26%
DQE @ Nyquist	4%	15%
MTF @ 1 lp/mm	56%	57%
MTF @ 2 lp/mm	24%	27%
MTF @ 3 lp/mm	10%	13%
MTF @ Nyquist	6%	10%
Sensitivity	0.54 LSB/nGy	0.82 LSB/nGy
Pixel Noise (1000ms)	9.2 LSB	8.7 LSB
Memory Effect	0.001 (@ 60sec)	0.004 (@ 60sec)

Main Functionalities

	DRZ+	CSI
Cycle Time @ 550ms (X-ray Window)	7 sec (MSR2, RCT)	7 sec (MSR2, RCT)
X-ray window	350-3500 ms	350-3500 ms

Dose Range

	DRZ+	CSI
Maximim Linear Dose	100 µGy	69 µGy
NED	0.65 µGy	0.4 µGy
Energy Range Standard	40 - 150 kVp	
Fill Factor	60%	
Scan Method	Progressive	
Data Output	Wireless	
A/D Conversion	16-bit	
Exposure Control	Inputs: Prepare, Expose-Request Outputs: Expose-OK	

®PaxScan is a Registered Trademark of Varex Imaging Corporation.

Patient Contact

Surface Temperature rated to not exceed 42 degrees C
 Weight Limit
 Uniform load across entire carbon fiber surface 150 kg
 Concentrated 40mm diameter load at the center of the imager ... 100 kg

Software

The 4336W v4 embeds the M-series Varex Imaging Smart Panel (VSP) software within the receptor. Developers interface with the receptor through VSP COMM which resides on the workstation. The integrator experience is simplified through the new M-series software interface. An onboard Control Panel is used to manage receptor settings and configuration. The YiVA™ sample imaging application is included. VSP COMM is Windows® 7 (64 bit), Windows 8.1 (64-bit) and Window® 10 compatible.

Computer Requirements

RAM 2.00 GB
 CPU 1 GHz or faster processor (32-bit or 64-bit)

Power

Power Consumption Idle - 3.3 watts
 Acquisition - 7.8 watts
 Image Transfer - 10.2 watts

Wireless

Wireless Modes STA or AP 802.11 a/g/n/ac, 2x2 MIMO
 Minimum Signal Strength Required >-80 dBm
 or no image will be acquired

Mechanical

Weight (values are typical) (includes battery)
 DRZ+ 3.6 kg ± 0.25 kg
 Csl 3.8 kg ± 0.25 kg
 Housing Material Aluminum/Magnesium
 Sensor Protection Material Carbon fiber plate

Battery

Lithium polymer smart battery prevents over charging
 Charge capability 1000 images over 6 hrs
 Expected Life 300 cycles of charge/discharge

Environmental

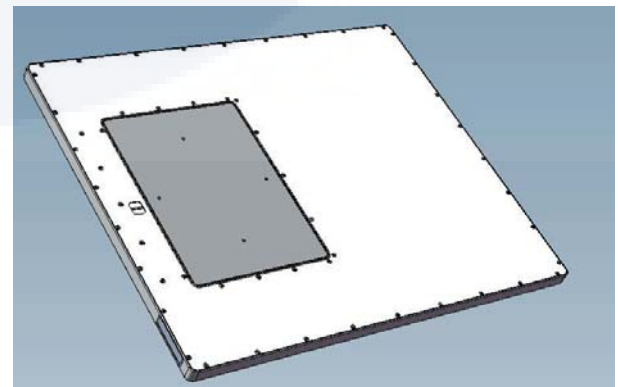
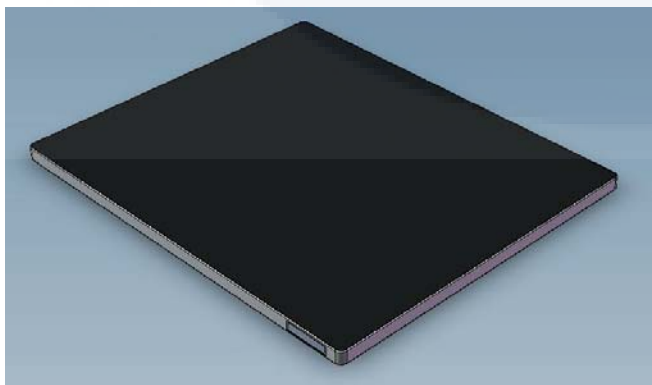
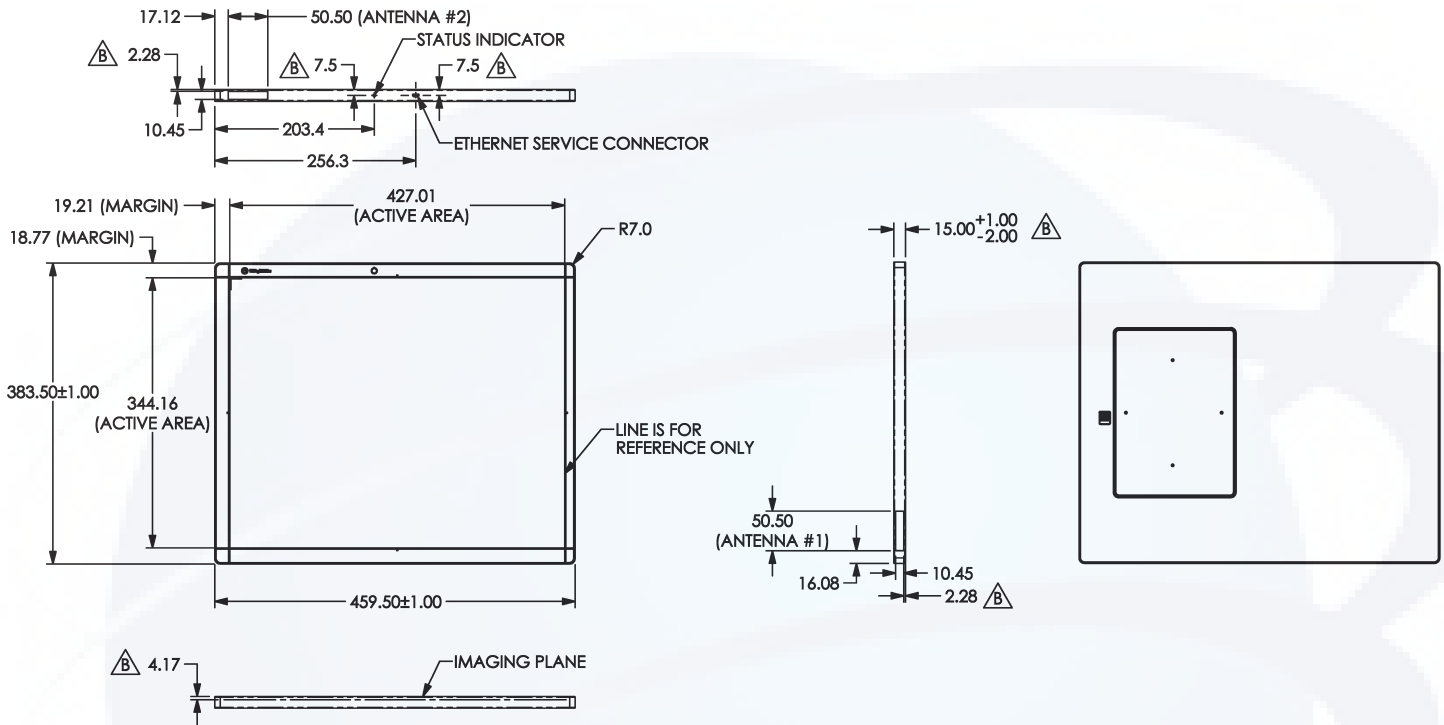
Shock High-shock tolerance
 Water Resistant IP51 (horizontal, face up)
 Temperature Range - Operating (at back cover) 10°C to 35°C (max.)
 (Ambient) - Storage -20°C to +70°C
 Humidity - Operating & Storage (non-condensing) 10% to 90%
 Atmospheric Pressure - Operating & Storage 70 kPa to 106 kPa

Regulatory

U.S. ANSI/AAMI ES 60601-1:2012
 Canada CAN/CSA C22.2 No. 60601-1:14
 EU IEC/EN 60601-1:2012

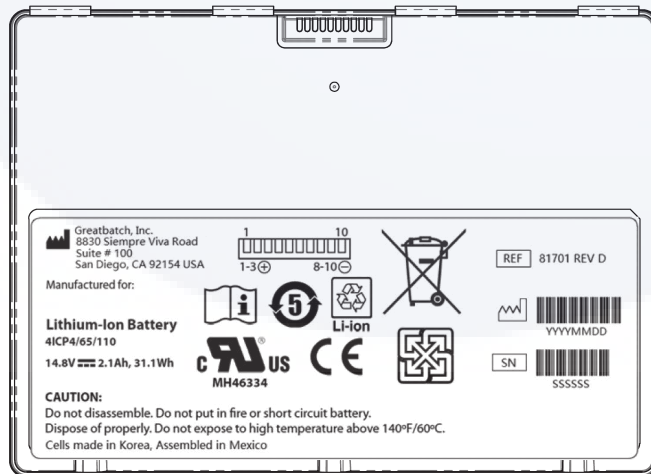
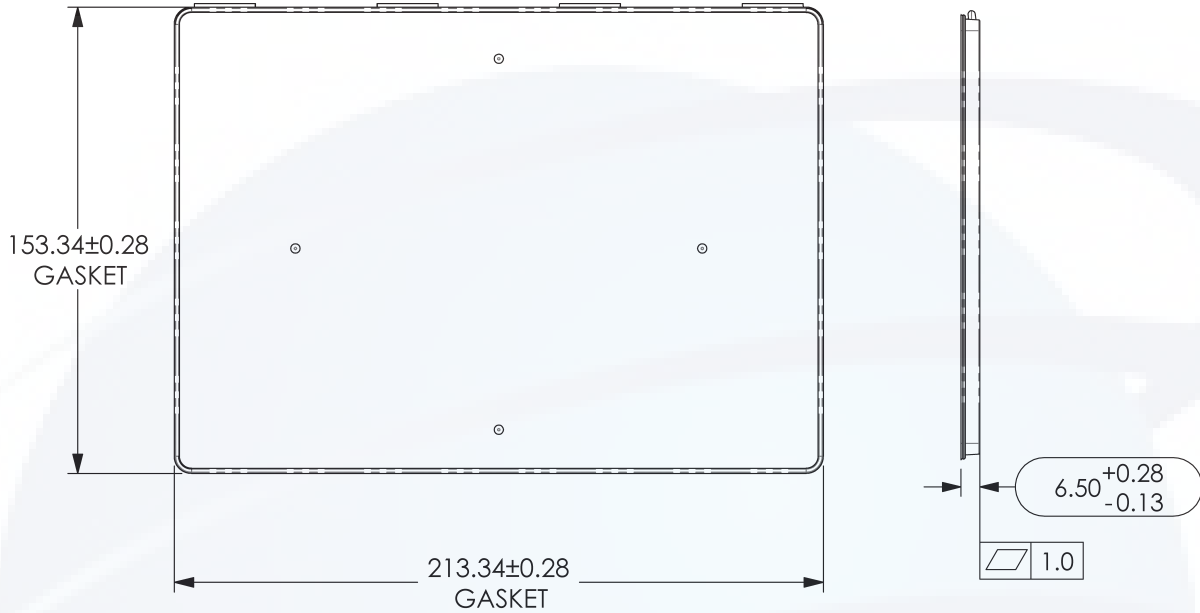
Dimensions are for reference only

Dimensions are in mm



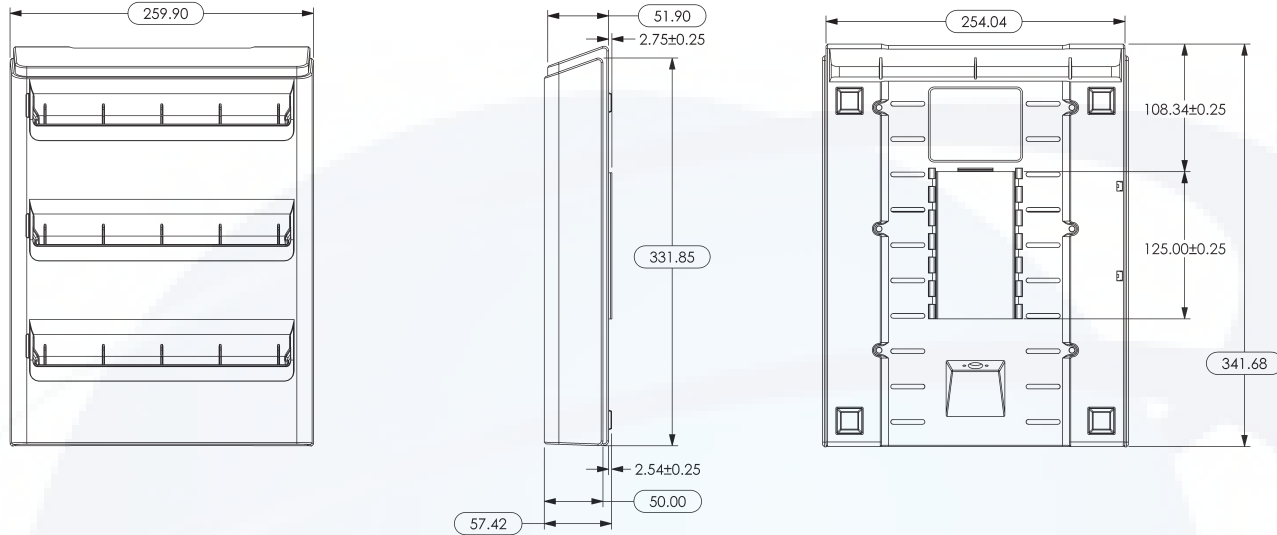
Dimensions are for reference only

Weight - 0.66 lbs (.3 kg) (nominal)



Battery Charger (Optional)

Weight - 1.33 kg (nominal)



Single Bay Charger (Optional)

Weight - 0.3 kg (nominal)

