

## Titan & Comfort Series Fluid Warmer

EC250L    DC250L  
EC350L    DC400L  
EC400L



**MN-39361**

REV.03  
8/20

**EN**



# Manufacturer's Information

---

## Copyright

© Copyright 8/20 by Enthermics Medical Systems.

All rights reserved.

This manual or any portion thereof may not be reproduced or used in any manner whatsoever without the express written permission of Enthermics Medical Systems.

---

## Trademarks

All trademarks referenced in this documentation are the property of their respective owners.

---

## Manufacturer



Enthermics Medical Systems

An ISO 13485:2016 certified company

W164 N9221 Water Street

Menomonee Falls, WI 53051, USA

---

## Original instructions

The content in this manual is written in American English.



### Authorized Representative:

MDSS GmbH  
Schiffgraben 41  
30175 Hannover  
Germany

# Thank you for your Purchase!

---

This warmer has been thoroughly tested and inspected to ensure only the highest quality is provided. We supply the most durable, convenient, efficient and safe warming equipment on the market. All warmers are manufactured and fully inspected in the USA with a commitment to quality.

## Register Your Warmer

---

### Register

Register your Entermics appliance online. Registering your appliance ensures prompt service in the event of a warranty claim. You will also receive direct notifications of software updates and additional product information.

Your personal information will not be shared with any other company.

[www.entermics.com/warranty-registration](http://www.entermics.com/warranty-registration)

## Entermics 24/7 Emergency Repair Service

---

### Call

Call 800-558-8744 to reach our 24-hour emergency service call center for immediate access to local authorized service agencies outside standard business hours. The emergency service access is provided exclusively for Entermics Medical Systems equipment and is available throughout the United States through Entermics toll free number.

### Availability

Emergency service access is available seven days a week, including holidays.

This page intentionally left blank.

- Manufacturer’s Information . . . . . 2
- Foreword 3**
  - Thank you for your Purchase! . . . . . 3
  - Register Your Warmer . . . . . 3
  - Enthermics 24/7 Emergency Repair Service . . . . . 3
- Safety 7**
  - The Meaning of Signal Words . . . . . 7
  - Safety Precautions. . . . . 8
- Labels 11**
  - Label Locations . . . . . 11
- Specifications 13**
  - Specification Information . . . . . 13
  - Dimension Drawings . . . . . 14
- Installation 21**
  - How to Unpack the Warmer . . . . . 21
  - How to Install the Warmer . . . . . 22
- Operation 25**
  - Preparing the Warmer for First Use. . . . . 25
  - How to Turn On and Turn Off the Warmer. . . . . 26
  - How to Operate the Fluid Warmer . . . . . 27
  - How to Change the Temperature Scale. . . . . 29
  - How to Change the Sound Settings . . . . . 29
  - How to Lock and Unlock the Controller. . . . . 30
  - How to Adjust the Interior Light (if equipped). . . . . 31
  - How to Download Temperature Data from the Warmer (if equipped) 32
- Maintenance 35**
  - Maintenance Schedule . . . . . 35
  - How to Clean the Warmer . . . . . 37
  - Warmer Disposal / Decommissioning . . . . . 39
- Troubleshooting 41**
  - What to do if a Power Interruption Occurs. . . . . 41
  - What to do if the Alarm Indicator Light Flashes . . . . . 42
  - Error Codes. . . . . 43
  - How to Replace a Fuse . . . . . 47
- Electrical Information 49**
- Warranty 53**
  - Warranty . . . . . 53

TABLE OF CONTENTS

This page intentionally left blank.

# The Meaning of Signal Words

This manual contains signal words where needed. These signal words must be obeyed to reduce the risk of death, personal injury, or equipment damage. The meaning of these signal words is explained below.

**DANGER**

Danger indicates a hazardous situation which, if not avoided, will result in serious injury or death.

**WARNING**

Warning indicates a hazardous situation which, if not avoided, could result in serious injury or death.

**CAUTION**

Caution indicates a hazardous situation which, if not avoided, could result in minor or moderate injury.

**NOTICE**

Notice indicates a situation which, if not avoided, could result in property damage.



**NOTE:** Note indicates additional information that is important to a concept or procedure.

# Safety Precautions

---

**Before you begin**

Read and understand all instructions in this manual.

---

**Electrical precautions**

Obey these electrical precautions when using the warmer:

- Connect the warmer to a properly grounded outlet. Do not use the warmer if it is not properly grounded. Consult an electrician if there is any doubt that the outlet used is properly grounded.
  - Keep the cord away from hot surfaces.
  - Do not attempt to service the warmer or its cord and plug, when plugged in.
  - Do not operate the warmer if it has a damaged cord or plug.
  - Do not immerse the cord or plug in water.
  - Do not let the cord hang over the edge of a table or counter.
  - Do not use an extension cord.
- 

**Usage precautions**

Obey these usage precautions when using the warmer:

- Only use this warmer for its intended use of warming medical solution bags, bottles, and/or blankets. Follow facility and solution manufacturer guidance regarding warming temperature for any item to be placed in the warmer.
  - Do not use this warmer for warming blood or blood products.
  - Do not cover or block any of the openings of this warmer.
  - Do not use this warmer in a wet location.
  - Only clean the warmer when the power cord is unplugged.
  - Do not use corrosive chemicals when cleaning the warmer.
  - Do not use the warmer cavity for storage.
  - Do not remove exterior panels from the warmer or attempt repairs. The warmer has no user-serviceable internal components. Only perform routine cleaning and maintenance procedures specifically described in this manual. Inspection and servicing of internal components must only be performed by qualified service personnel.
  - Only a qualified Enthermics service representative may make modifications to the warmer. Modifications to the warmer could be hazardous to users and patients.
- 

**Operator training**

All personnel using the warmer must have proper operator training. Before using the warmer:

- Read and understand the operating instructions contained in all the documentation delivered with the warmer.
  - Know the location and proper use of all controls.
  - Keep this manual and all supplied instructions, diagrams, schematics, parts lists, notices, and labels with the warmer if the warmer is sold or moved to another location.
-



**Operator qualifications**

Only trained personnel with the following operator qualifications are permitted to use the warmer:

- Have received proper instruction on how to use the warmer.
  - Are familiar with the purpose, limitations, and associated hazards of the warmer.
- 

The warmer must not be used by:

- People impaired by drugs or alcohol.
- 

**Condition of warmer**

Only use the warmer when:

- All controls operate correctly.
  - The warmer is installed correctly.
  - The warmer is clean.
  - The warmer labels are legible.
- 

**Servicing the warmer**

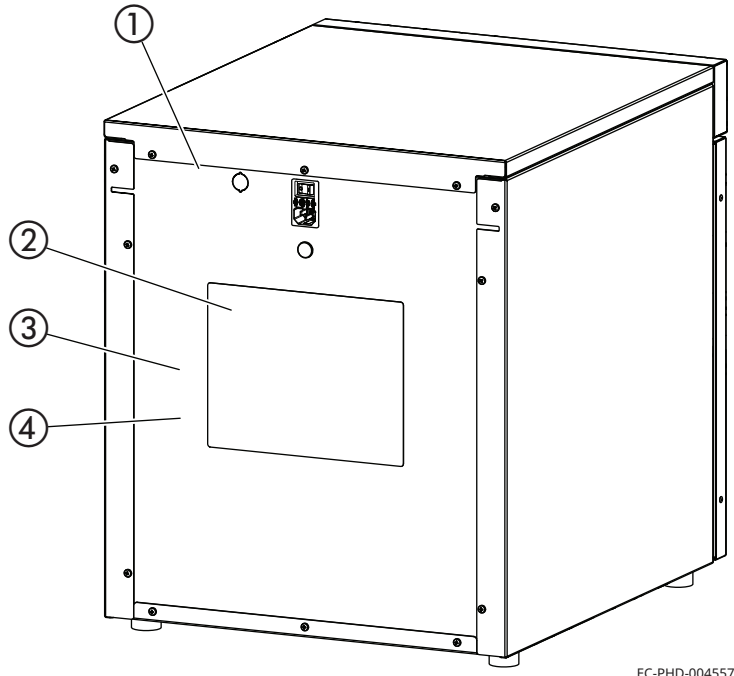
- Obey precautions in the manual, on tags, and on labels attached to or shipped with the warmer.
  - Only trained personnel are permitted to service or repair the warmer. Repairs that are not performed by a trained technician, or the use of non-factory parts, will void the warranty and relieve all liability.
  - Any troubleshooting guides and components views included with this manual are for reference only and are intended for use by qualified and trained service technicians.
  - To prevent serious injury, death or property damage, have the warmer inspected and serviced at least every twelve (12) months by a trained technician.
  - Contact Enthermics for the authorized service partner in your area.
- 

**Incident notice**

- Any serious incident that has occurred in relation to the warmer should be reported to the manufacturer and the competent authority of the Member State in which the user and/or patient is established.


This page intentionally left blank.

# Label Locations



EC-PHD-004557

LABELS

<p>1</p>		<p>Security seal</p>
<p>2</p>	<div style="background-color: #f0f0f0; padding: 5px;"> <p><b>WARNING!</b> FOR PROTECTION AGAINST FIRE AND ELECTRICAL SHOCK USE ONLY UL LISTED 10A, 250V FAST ACTING FUSES, 5MM X 20MM (F1, F2). ACCESS SHOULD BE MADE BY QUALIFIED SERVICE TECHNICIANS ONLY.</p> <p>HOSPITAL GRADE CORD MUST BE USED. REFER TO OPERATION AND CARE MANUAL OR CONTACT MANUFACTURER FOR ACCEPTABLE CORDS. EQUIPMENT MUST BE CONNECTED TO AN EQUIVALENT RECEPTACLE MARKED "HOSPITAL GRADE".</p> <p><b>AVERTISSEMENT!</b> POUR PROTÉGER CONTRE LES INCENDIES ET LES DÉCHARGES ÉLECTRIQUES, UTILISER EXCLUSIVEMENT DES FUSIBLES INSTANTANÉS HOMOLOGUÉS UL DE 10 A, 250 V, 5 MM X 20 MM (F1, F2). L'ACCÈS DOIT ÊTRE RÉSERVÉ EXCLUSIVEMENT À DES TECHNICIENS D'ENTRETIEN QUALIFIÉS.</p> <p>UN CORDON DE QUALITÉ HÔPITAL DOIT ÊTRE UTILISÉ. VOIR LES CORDONS ADMISSEES DANS LE MANUEL D'UTILISATION ET D'ENTRETIEN OU S'ADRESSER AU FABRICANT. LE MATÉRIEL DOIT ÊTRE RACCORDE À UNE PRISE ÉQUIVALENTE MARQUÉE COMME ÉTANT DE « QUALITÉ HÔPITAL ».</p> <p><b>¡ADVERTENCIA!</b> PARA PROTECCIÓN CONTRA INCENDIOS Y DESCARGAS ELÉCTRICAS, USE SOLO FUSIBLES DE ACCIÓN RÁPIDA CON CLASIFICACIÓN UL DE 250 V, 10 A, 5 MM X 20 MM (F1, F2). SOLO SE DEBE PERMITIR EL ACCESO A TÉCNICOS DE SERVICIO CALIFICADOS.</p> <p>SE DEBE USAR UN CABLE DE CALIDAD PARA USO HOSPITALARIO. CONSULTE EL MANUAL DE OPERACIÓN Y CUIDADO, O BIEN, COMUNÍQUESE CON EL FABRICANTE PARA CONOCER LOS CABLES ACEPTABLES. SE DEBE CONECTAR EL EQUIPO A UN TOMACORRIENTE EQUIVALENTE CON LA MARCA "CALIDAD PARA USO HOSPITALARIO".</p> </div> <div style="background-color: #f0f0f0; padding: 5px; margin-top: 5px;"> <p><b>ACHTUNG!</b> ZUM SCHUTZ VOR BRAND UND STROMSCHLAG NUR EINE SUPERFLINKE SCHMELZSICHERUNG UL LISTED 10A, 250V, 5MM X 20MM (F1, F2) VERWENDEN. DARF DER ZUGANG NUR VON QUALIFIZIERTEN WARTUNGSTECHNIKERN HERGESTELLT WERDEN.</p> <p>ES MUSS EIN FÜR KRANKENHÄUSER GEEIGNETES NETZKABEL VERWENDET WERDEN. FÜR GEEIGNETE NETZKABEL IM BETRIEB- UND PFLEGEHANDBUCH NACHSCHLÄGEN. GERÄTE MÜSSEN AN EINE STECKDOSE MIT DER BEZEICHNUNG „FÜR KRANKENHAUSER GEEIGNET“ ANGESCHLOSSEN WERDEN.</p> <p><b>AVVERTENZA!</b> PER PROTEZIONE ANTIINCENDIO E CONTRO LE SCOSSE ELETTRICHE, USA SOLO FUSIBILI AD AZIONE RAPIDA UL LIST 10<sup>A</sup> DA 250 V, 5 MM X 20 MM (F1, F2). L'ACCESSO DOVEREBBE ESSERE LIMITATO SOLO AI TECNICI DI MANUTENZIONE QUALIFICATI.</p> <p>I DEVE USARE CAVO DI QUALITÀ PER OSPEDALI. VEDERE IL MANUALE OPERATIVO E DI MANUTENZIONE O CONTATTE IL PRODUTTORE PER SAPERE QUALI SONO I CAVI ACCETTABILI. L'APPLICAZIONE DEVE ESSERE COLLEGATA AD UN CONTENITORE EQUIVALENTE CONTRASSEGNA TO CON "GRADO MEDICALE".</p> <p><b>警告</b> 为了防止火灾与电击，只能使用以认证的 10A、250V 的快速熔断丝。SMX X 20MM (F1, F2)。必须由有资质的维修技术人员进行相关操作。必须采用医疗级电源线。请参考《操作与保养手册》或联系生产商，获取合格电源线。必须将设备连接至标注有“医疗级”的等效插座。</p> <p style="text-align: right;">LA-29452</p> </div>	<p>Electrical warning label</p>
<p>3</p>	<div style="background-color: #f0f0f0; padding: 5px;">  <p>For Sales &amp; Service Call 800-862-9276 <a href="http://www.enthermics.com">www.enthermics.com</a></p> <p><b>Authorized Representative:</b> MDSS GmbH Schiffgraben 41 30175 Hannover Germany Tel.: +49 511 6262 8630 Fax: +49 511 6262 8633</p> <p>☆☆☆☆ <b>Made in</b> ☆☆☆☆ <b>USA</b></p> <p style="text-align: right;">LA-29319</p> </div>	<p>Enthermics contact information</p>
<p>4</p>	<div style="background-color: #f0f0f0; padding: 5px;"> <p style="text-align: center;"><b>QUALITY INSPECTED</b></p> <div style="display: flex; justify-content: space-between;">  <div style="text-align: center;"> <p>INSPECTORS INITIALS</p> <hr style="width: 100px; margin: 0 auto;"/> <p>DATE</p> <hr style="width: 100px; margin: 0 auto;"/> </div> </div> <p style="text-align: center;">www.enthermics.com/quality <span style="float: right;">LA-36649</span></p> </div>	<p>Quality inspected</p>

# Specification Information

Model	EC/DC 250L	EC350L	EC/DC 400L
<b>Intended use</b>	Warming irrigation or injection fluids		
<b>Weight</b>	Net: 67 lb (30 kg) Ship: 116 lb (53 kg)	Net: 91 lb (41 kg) Ship: 144 lb (65 kg)	Net: 100 lb (45 kg) Ship: 158 lb (72 kg)
<b>Storage cavity capacity</b>	16 1-liter bags, 8 bags per shelf or basket(s)* 12 1-liter bottles	24 1-liter bags, 12 bags per shelf or basket** 24 1-liter bottles, 12 bottles per shelf or basket*	28 1-liter bags, 14 bags per shelf or basket 20 1-liter bottles
<b>Temperature range</b>	Irrigation fluids (IRR): 90°F to 150°F (32°C to 66°C) Injection fluids (INJ): 90°F to 104°F (32°C to 40°C)		
<b>Clearance requirements</b>	3" (76mm) from rear 1" (25mm) from top 1" (25mm) from sides 3/4" (19mm) from bottom		

\*1 basket standard for EC250L, 2 baskets standard for DC250L

\*\*1 basket and 1 shelf standard for EC350L

## Transportation and storage conditions

- Ambient temperature range of -40°F to +159°F (-40°C to +70°C).
- Relative humidity range of 10% to 95%, non-condensing.
- Atmospheric pressure range of 7.25 psi to 15.37 psi (50kPa to 106kPa).

## Operating conditions

- The warmer must acclimate to the room temperature it will be placed in—24 hours is recommended.
- The recommended environmental temperature range is 60°F to 90°F (15°C to 32°C).
- The recommended relative humidity is above 20%, non-condensing.

## Standards for electrical equipment

- Medical equipment listed by Underwriters Laboratories with respect to electrical shock, fire, and mechanical hazards only, in accordance with UL 61010-1 and CAN/CSA C22.2 No. 61010-1.
- Grounding reliability can only be achieved when the appliance is connected to an equivalent receptacle marked "Hospital Grade."
- IP-XO ordinary

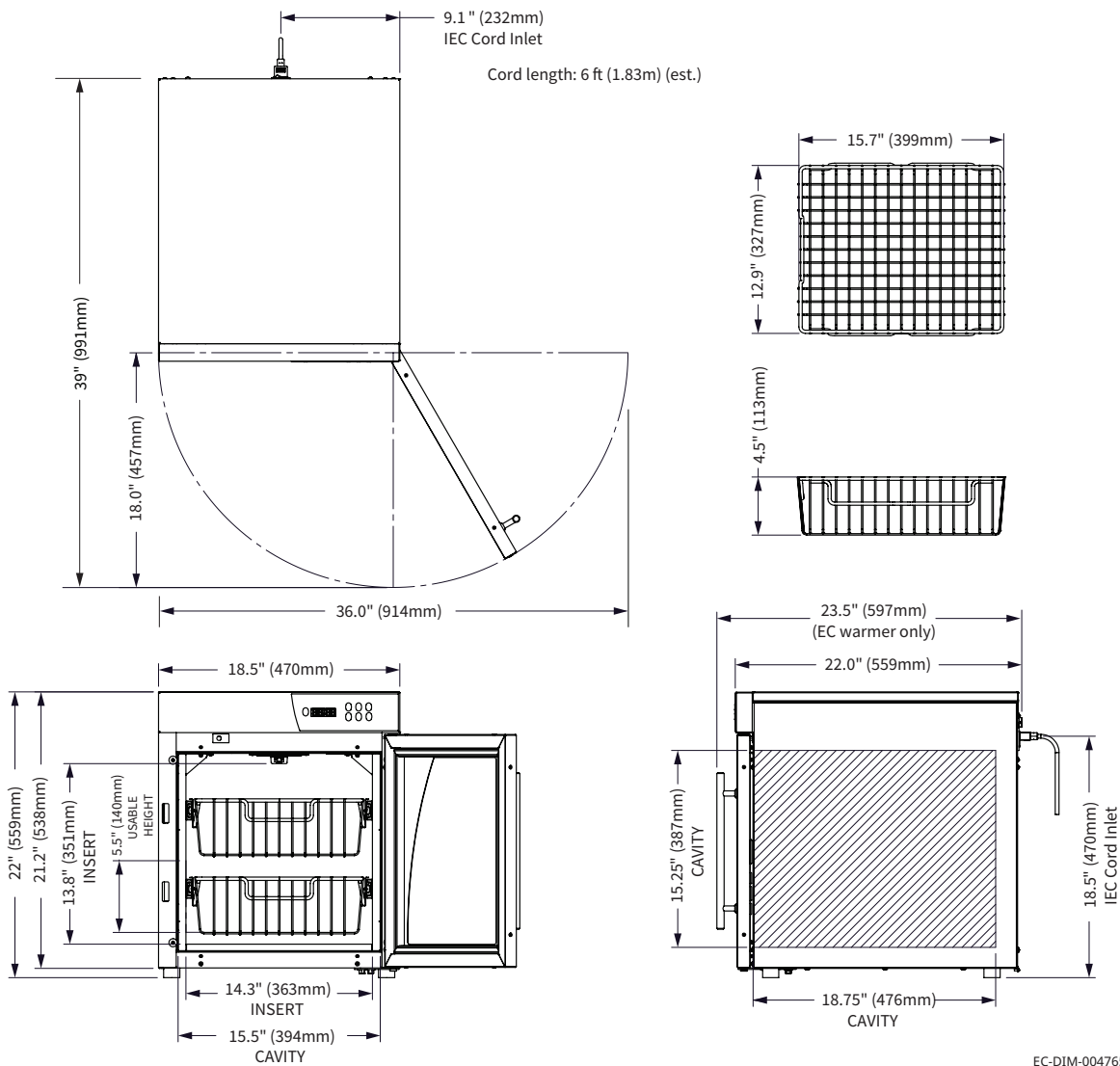


# Dimension Drawings

## EC/DC 250L shown with Standard Feet



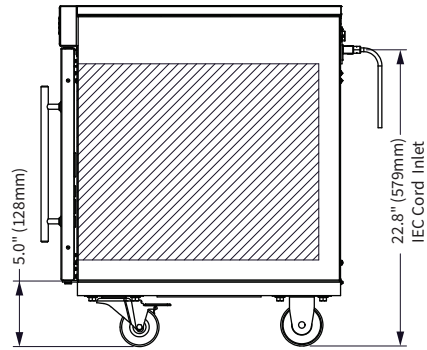
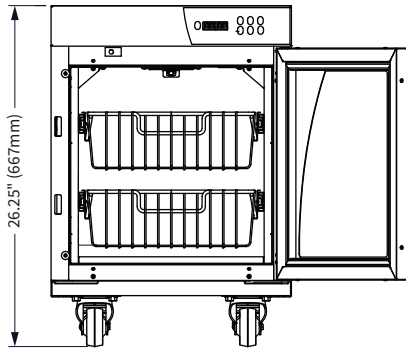
**NOTE:** 1 basket standard for EC250L, 2 baskets standard for the DC250L.



## EC/DC 250L shown with Optional Plate and Casters



**NOTE:** 1 basket standard for EC250L, 2 baskets standard for the DC250L.

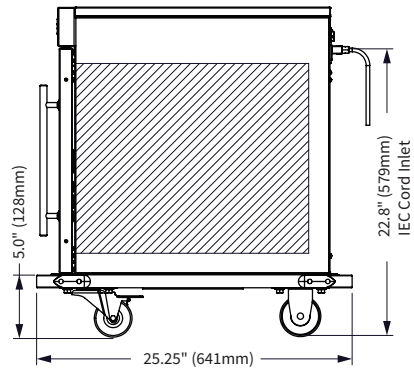
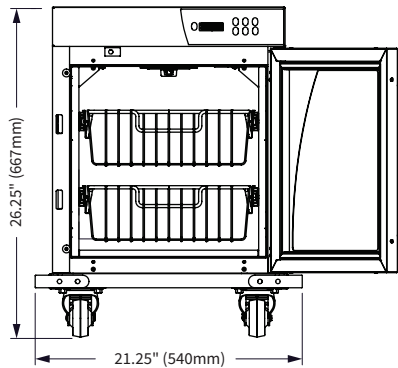


EC-DIM-004768

## EC/DC 250L shown with Optional Bumpers and Casters

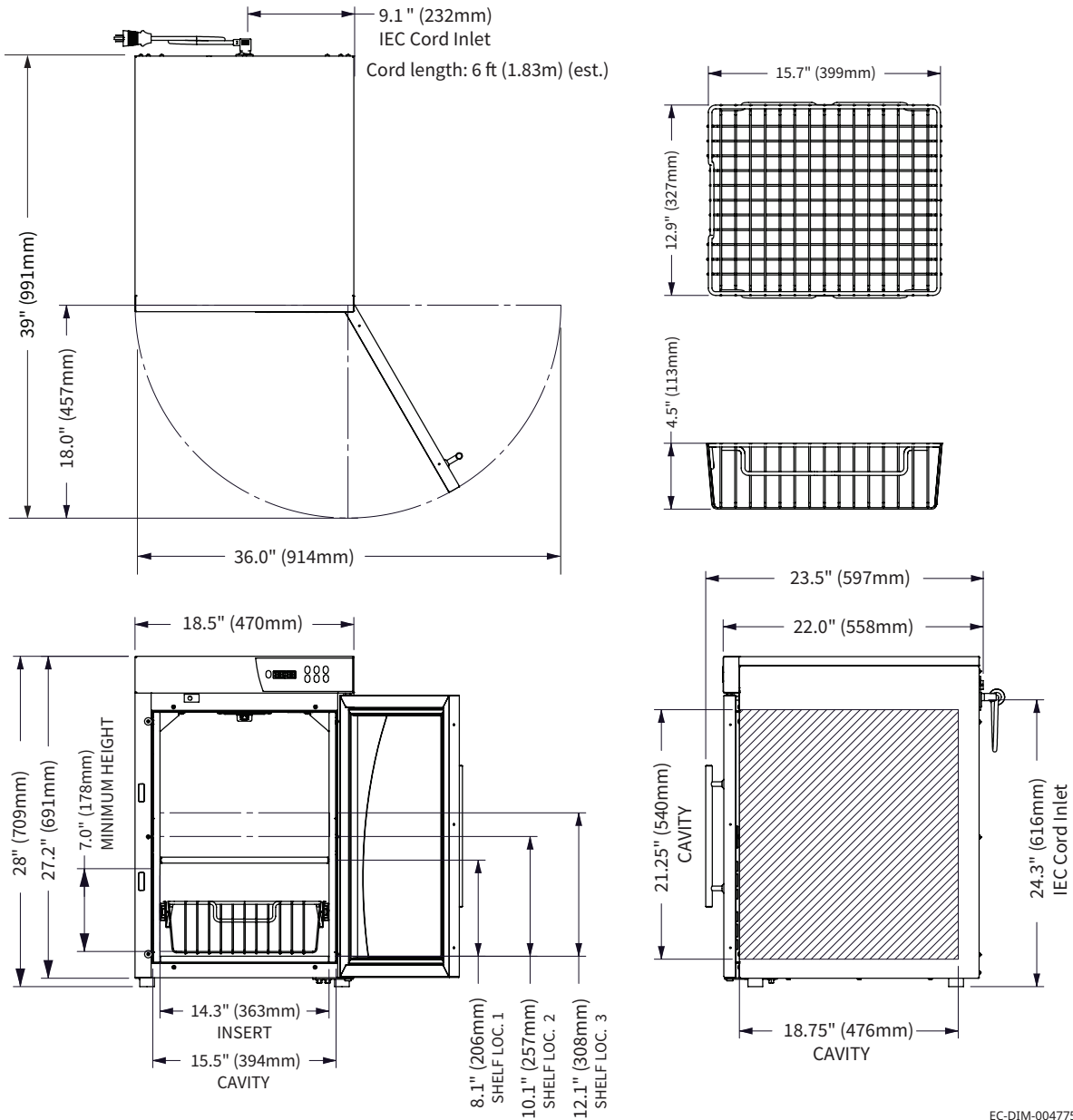


**NOTE:** 1 basket standard for EC250L, 2 baskets standard for the DC250L.



EC-DIM-004772

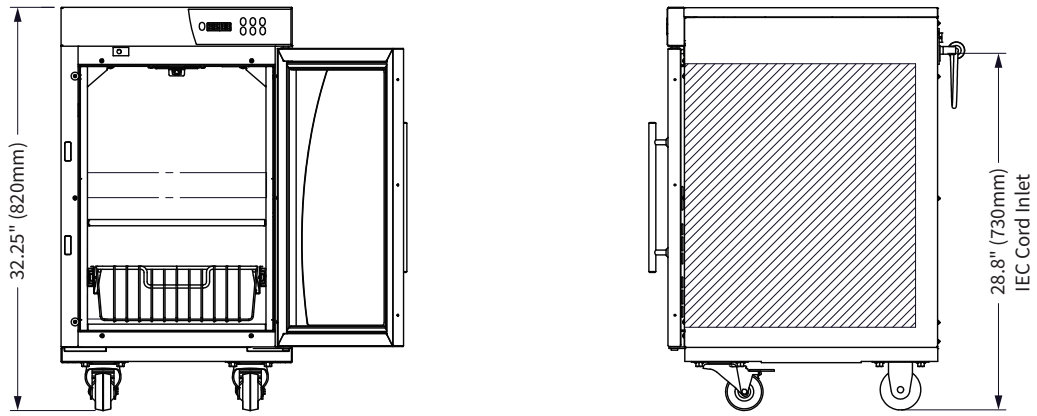
# EC350L shown with Standard Feet



EC-DIM-004775

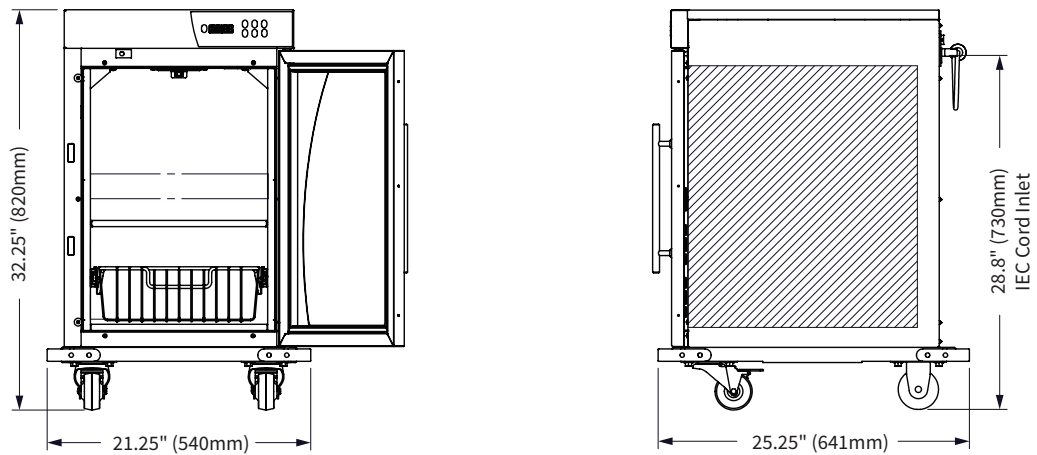


## EC350L shown with Optional Plate and Casters



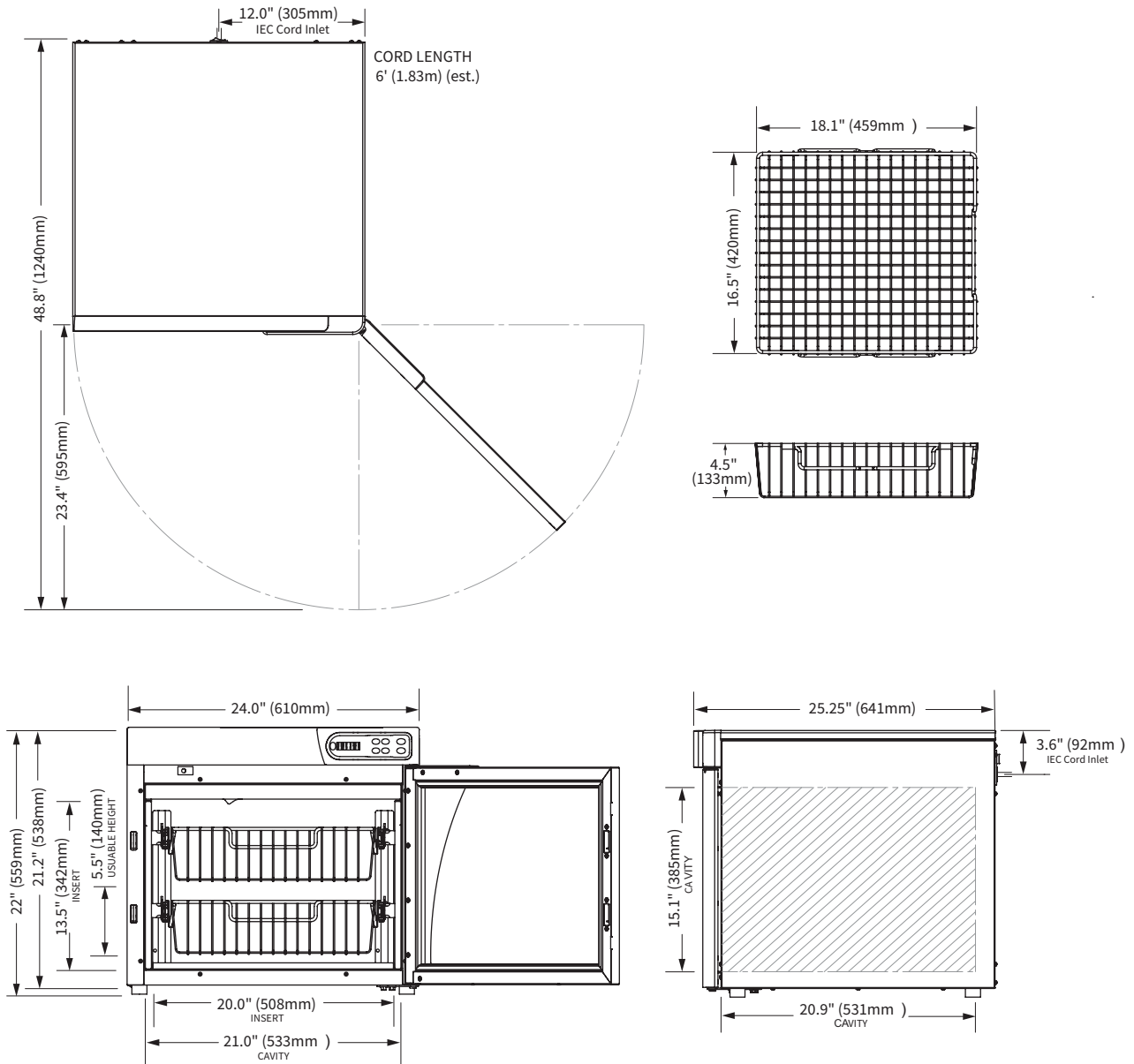
EC-DIM-004778

## EC350L shown with Optional Bumpers and Casters



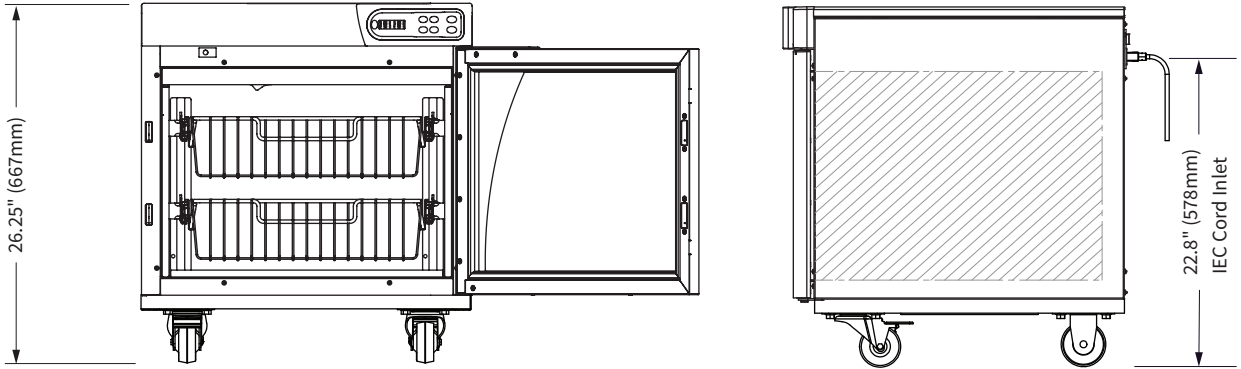
EC-DIM-004781

# EC/DC 400L shown with Standard Feet



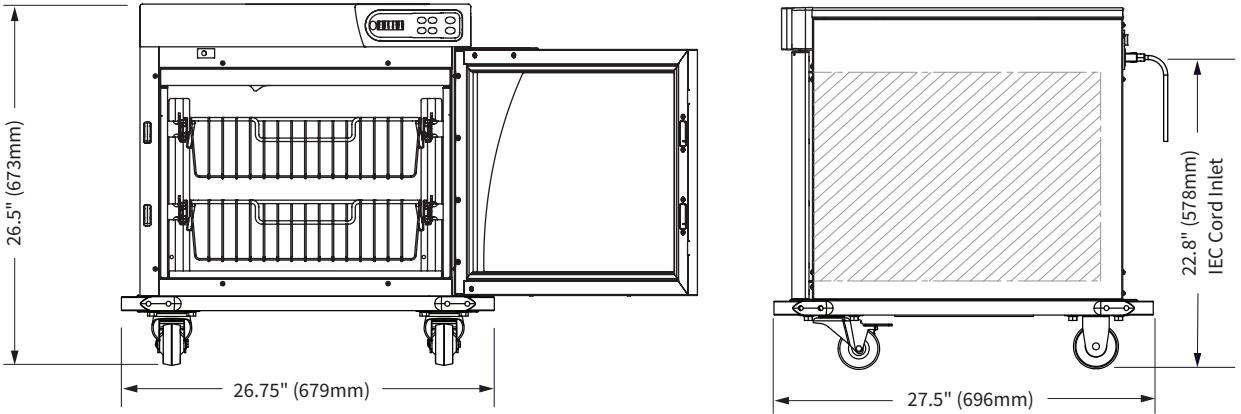
DC-DIM-007094

### EC/DC 400L shown with Optional Plate and Casters



EC-DIM-010951

### EC/DC 400L shown with Optional Bumpers and Casters



EC-DIM-010953

This page intentionally left blank.

# How to Unpack the Warmer



**WARNING:** Crushing hazard.

An unstable warmer can lead to a crushing hazard. Observe your facility's best practices for moving large equipment.

## Before you begin

**Make sure** you have:

- Reviewed the warmer specifications.
- An appropriate lifting device and enough personnel to safely move and position the weight of the warmer.
- Cutting tools to remove the packaging.

## Unpack the warmer

To unpack the warmer, do the following.

Step	Action
1.	<b>Remove</b> the box or crate. <b>Save</b> all packing materials for inspection by the carrier.
	<div style="border: 1px solid gray; padding: 5px;"> <p><b>NOTE:</b> Examine the warmer for damage. If the warmer has been damaged, do not use the warmer until it has been inspected by an authorized service provider. Contact your carrier or customer service.</p> </div>
2.	<b>Cut and remove</b> the retaining straps and plastic wrap.
3.	<b>Remove</b> the warmer from the pallet using an appropriate lifting device.
4.	<b>Remove</b> the paperwork from the cavity.

## Result

The warmer is now unpacked.

# How to Install the Warmer

## Before you begin

**Make sure** you have:

An appropriate lifting device and enough personnel to safely move and position the weight of the warmer.

## Requirements

- The warmer must be installed on a level surface.
- The warmer must not be installed in any area where it may be affected by steam, dripping water, high temperature, or any other severely adverse conditions.

## Voltages

Model	V	Ph	Hz	kW
EC/DC 250L	120	1	60	0.44
	220	1	60	0.44
	230	1	50/60	0.44
EC350L	120	1	60	0.44
	220	1	50	0.44
	230	1	50/60	0.44
EC/DC 400L	120	1	60	0.7
	220	1	50	0.7
	230	1	50/60	0.7

## Position the warmer

To position the warmer, do the following.

Step	Action
1.	<p><b>Make sure</b> that:</p> <ul style="list-style-type: none"> <li>■ The location where the warmer is being installed is rated to support the weight of the warmer;</li> <li>■ The warmer is within five feet of the appropriate electrical outlet;</li> <li>■ You follow the warmer clearance guidelines. Refer to topic <i>Specification Information</i> for clearance requirements.</li> </ul>
2.	<p><b>Move</b> the warmer to the installation location and onto the final resting surface.</p>
3.	<p><b>Lock</b> the casters, if equipped.</p>

The warmer is now correctly positioned.

*Continued on next page*

*Continued from previous page*

**Connect power**

To connect electric power to the warmer, do the following.

4. **Connect** the plug to the electrical outlet.

**Result**

The warmer is now installed and ready to be used.

This page intentionally left blank.



# Preparing the Warmer for First Use

## Before you begin



**CAUTION:** Burn hazard.  
Allow the warmer to cool before cleaning.

### NOTICE

Do not use:

- abrasive cleaning compounds.
- chloride based cleaners.
- commercial or household cleaners containing ammonia.

## Procedure

To prepare the warmer for first use, do the following.

Step	Action
1.	<b>Make sure</b> that the warmer is turned off and cool.
2.	<b>Wipe</b> the outside of the warmer: <ul style="list-style-type: none"> <li>■ with a stainless steel cleaner, if stainless steel panels.</li> <li>■ with an approved cleaning agent, if painted panels.</li> </ul>
3.	<b>Clean</b> the interior of the warmer with a damp cloth or approved cleaning agent.
4.	<b>Dry</b> the interior and exterior of the warmer with a clean, lint-free cloth. <b>Leave</b> the door open until the interior of the warmer completely dries.
5.	<b>Clean</b> each side of the window pane with glass cleaner or distilled vinegar.

## Result

The warmer is now ready for use.

# How to Turn On and Turn Off the Warmer

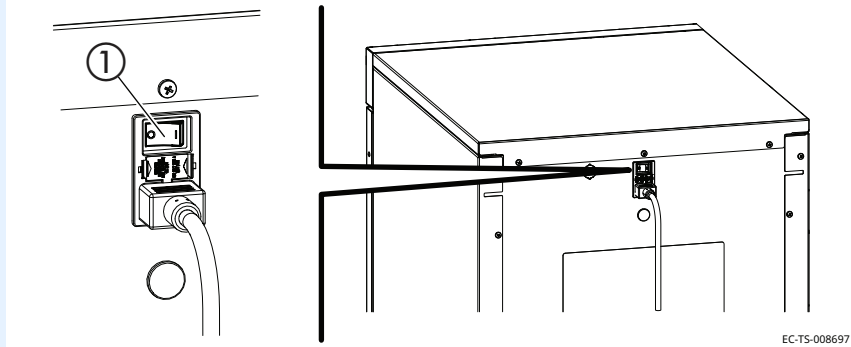
## Before you begin

The warmer must be connected to electric power.


## Turning on the warmer

To turn on the warmer, do the following.

Step	Action
1.	<b>Set</b> the power switch ① to the ON (I) position.
	
2.	<b>Press</b> the standby button  . The screen turns on.
<p> <b>NOTE:</b> A temporary odor may be noticeable upon initial start-up of the warmer. Contact the manufacturer if the odor persists after a day or more of continuous use.</p>	
<p>The warmer is now on.</p>	
<h2>Turning off the warmer</h2>	
<p>To turn off the warmer, do the following.</p>	
3.	<b>Press and hold</b> the standby button  until the screen turns off, then release the button.
<p>The warmer is now off.</p>	






 **NOTE:** A temporary odor may be noticeable upon initial start-up of the warmer. Contact the manufacturer if the odor persists after a day or more of continuous use.

# How to Operate the Fluid Warmer

## Before you begin

The warmer must be connected to electric power and turned on.



**WARNING:** Personal injury hazard.

Do not operate the warmer in the presence of a flammable anesthetic mixture with air, oxygen, or nitrous oxide; in oxygen-enriched environments; or in any other potentially explosive environment.



**WARNING:** Personal injury hazard.

Verify the fluid temperature prior to using the fluid. Refer to the fluid manufacturer's label for recommended warming procedures.

Do not use any fluids that are warmed above the suggested temperature.






**NOTICE**

Do not overload the cavity.

Refer to topic *Specification Information* for the storage cavity capacity.

## Procedure

To operate the warmer, do the following.


Step	Action
1.	<p><b>Select</b> the operation mode.</p> <ul style="list-style-type: none"> <li>Press the irrigation button  for irrigation mode.</li> <li>Press the injection button  for injection mode.</li> </ul> <p>The selected operation mode will illuminate .</p> <p><b>NOTE:</b> Open the door to cool the cavity before changing from a higher temperature to a lower temperature.</p>
2.	<p><b>Set</b> the temperature using the arrow buttons  .</p> <p><b>NOTE:</b> The irrigation temperature set-point range is 90°F - 150°F (32°C - 66°C). The injection temperature set-point range is 90°F - 104°F (32°C - 40°C).</p>

Continued on next page

*Continued from previous page*

## During the warming process

3. **Open** the door and load the fluid into the warmer.  
**Close** the door.

4. **Press** the temperature recall button  to view the measured cavity temperature.

The measured cavity temperature will display for five seconds. Then, the set-point temperature will display.

## Result

The fluids or blankets are now warming.






# How to Change the Temperature Scale

## Before you begin

The warmer must be connected to electric power and the screen turned off.

## Procedure

To change the temperature scale from °F to °C and vice versa, do the following.

Step	Action
1.	<b>Press and hold</b> the standby button  until the screen turns off, then release the button.
2.	<b>Press and hold</b> the temperature recall button  until the temperature digits disappears and only the F or C display, then release the button.
3.	<b>Press</b> the up and down arrow buttons   to toggle between the temperature scales.
4.	<b>Press</b> the standby button  to turn the screen on.

## Result

The temperature scale has now been changed.






# How to Change the Sound Settings

## Before you begin

The warmer must be connected to electric power.

## Procedure

To change the sound settings, do the following.

Step	Action
1.	<b>Press and while holding</b> the temperature recall button  , press the down arrow button  . Once the sound volume setting displays, release both buttons.
2.	<b>Press</b> the up and down arrow buttons   to adjust the volume. The volume range is 0 (mute) to 12 (maximum).
3.	<b>Press</b> the standby button  to turn the screen on.

## Result

The sound setting has now been changed.

# How to Lock and Unlock the Controller

## Before you begin

The warmer must be turned on (screen is on).

## Background

The controller can be locked to prevent changes being made to the temperature set-point.

## Locking the controller

To lock the controller, do the following.

Step	Action
1.	<p><b>Press and while holding</b> the standby button , press the up arrow button .</p> <p>The lock indicator  will illuminate.</p> <div style="border: 1px solid gray; padding: 5px; margin-top: 10px;"> <p> <b>NOTE:</b> Make sure the set-point temperature did not change during the locking process.</p> </div>
2.	<p><b>Press and while holding</b> the standby button , press the down arrow button .</p> <p>The lock indicator  goes off.</p> <div style="border: 1px solid gray; padding: 5px; margin-top: 10px;"> <p> <b>NOTE:</b> Make sure the set-point temperature did not change during the unlocking process.</p> </div>



**NOTE:** Make sure the set-point temperature did not change during the locking process.

## Unlocking the controller

To unlock the controller, do the following.



**NOTE:** Make sure the set-point temperature did not change during the unlocking process.



## Result

The controller has now been locked or unlocked.

# How to Adjust the Interior Light (if equipped)

**Before you begin** The warmer must be turned on (screen is on).

**Procedure** To adjust the interior light, do the following.

Step	Action
1.	<b>Press</b> the interior light button  <b>Press</b> the interior light button again to adjust between the light settings.
	 <b>NOTE:</b> The interior light has three settings: high, low, and off.

**Result** The interior light has now been adjusted.

# How to Download Temperature Data from the Warmer (if equipped)

## Before you begin

- The warmer must be turned on (screen is on).
- Do not remove the USB drive during the download process.
- You will need a SanDisk Cruzer Glide USB drive.

### NOTICE

Only use a SanDisk Cruzer Glide USB drive larger than 4 GB. Using other USB drives may cause erratic operation or loss of data.

## Background

The warmer automatically downloads only the data that has not been previously downloaded. The warmer will store multiple years of data. The download time for one week of data should be under five seconds.

The warmer records various performance parameters during the following conditions:

- automatically every five minutes while the power switch is ON.
- each time the temperature set-point is changed.
- each time the fluid door is opened.
- each time the fluid operation mode is changed.

## Procedure

To download temperature data from the warmer, do the following.

Step	Action
1.	<b>Open</b> the warmer door.

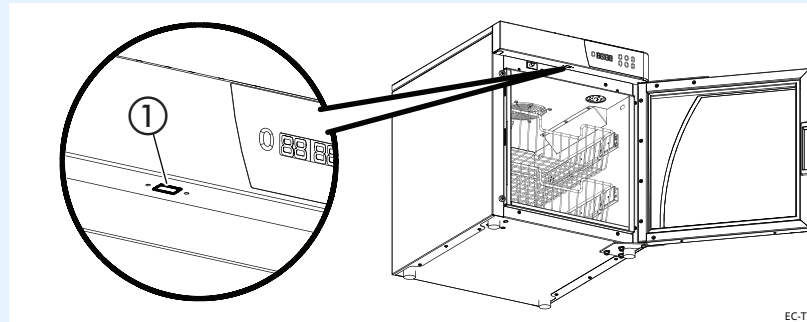
*Continued on next page*



Continued from previous page

2. **Plug** the USB drive into the port ①. The warmer downloads the temperature data.

**NOTICE** Do not remove the USB drive during the download process.



The warmer goes through the download process:

- The LED screen located above the USB port flashes for a few seconds to show a data transfer is in progress.
- The LED screen stops flashing.
- The download is complete.

3. **Remove** the USB drive from the port.

4. **Close** the warmer door.

## Result

The data has now been downloaded.

## Viewing the temperature data

To view the temperature data, do the following.

5. **Plug** the USB drive into a computer.

6. **Double-click** on the file.

**NOTE:** Data is stored on the USB drive in a file named, datalog\_MMDDYY\_HHMMSS.csv.

7. **Sort** the data as necessary.

Temperature data will be recorded in the same temperature units that are displayed on the LED screen.

**NOTE:** Errors recorded by the warmer are intended for use by service technicians only.

Continued on next page

*Continued from previous page*

**Viewing data in Microsoft® Excel**

The table below is an example of temperature data from the warmer.

Time Stamp	Chamber	Mode	Power	Door	Fan	Temperature	Set-point	Errors
5/1/2019 8:52	bottom		off	open	off	71.2	104	Diagnostics.SensorShortErrors=0x0c
5/1/2019 8:57	bottom		off	open	off	70.9	104	Diagnostics.SensorShortErrors=0x0c
5/1/2019 9:01	bottom	INJ	on	closed	on	69.9	104	Diagnostics.SensorShortErrors=0x0c
5/1/2019 9:02	bottom	INJ	on	closed	on	69.3	104	Diagnostics.SensorShortErrors=0x0c
5/1/2019 9:07	bottom	INJ	on	closed	on	79.3	104	Diagnostics.SensorShortErrors=0x0c
5/1/2019 9:12	bottom	INJ	on	closed	on	91.2	104	Diagnostics.SensorShortErrors=0x0c
5/1/2019 9:17	bottom	INJ	on	closed	on	98.9	104	Diagnostics.SensorShortErrors=0x0c
5/1/2019 9:22	bottom	INJ	on	closed	on	101.8	104	Diagnostics.SensorShortErrors=0x0c
5/1/2019 9:27	bottom	INJ	on	closed	on	104	104	Diagnostics.SensorShortErrors=0x0c

**Result**

The temperature data has now been viewed.

# Maintenance Schedule



**NOTE:** Do not remove exterior panels from the warmer or attempt repairs. The warmer has no user-serviceable internal components. Only perform routine cleaning and maintenance procedures specifically described in this manual.

## Daily

For daily maintenance, do the following.

### Check:

- the air vents in the airflow insert panels are not obstructed (if applicable).
- all fan guards are clear and not obstructed (if applicable).
- the number of bottles/bags, or blankets as applicable do not exceed the maximum capacity per shelf or basket.

### Clean:

- any spills with a clean, lint free cloth. See topic *How to Clean the Warmer* for the list of approved cleaners.

## Monthly

For monthly maintenance, do the following.

### Check:

- the door gasket for tears and holes. Make sure that it is firmly attached to the door. Check the seal when the door is closed.
- the guards around the air temperature sensor are in place and fully secure to the warmer.
- the hardware securing the warmer(s) to the wall, if applicable.

### Clean:

- the outside of the warmer with stainless steel cleaner. See topic *How to Clean the Warmer* for the list of approved cleaners.
- vacuum (if applicable):
  - fan openings
  - fan sail switch
  - vent openings

*Continued on next page*

MAINTENANCE

*Continued from previous page*

## Yearly

For yearly maintenance, do the following.

### Check:

- the set-point temperature compared to the actual temperature displayed.
  - Check the cavity air temperature with a thermocouple placed 1" (25mm) from the cavity sensor. Do not allow the thermocouple to touch any surface. Monitor the temperature for approximately one hour in an empty cavity.
- the condition of the plug and cord and replace if damaged.
- the controller screen for excessive wear. Make sure the controller screen displays and operates properly.

### Clean:

- the shelves and interior of the warmer. See topic *How to Clean the Warmer* for the list of approved cleaners.

# How to Clean the Warmer

## Before you begin



**WARNING:** Electric shock hazard.  
Disconnect the warmer from electric power before cleaning.



**CAUTION:** Burn hazard.  
Allow the warmer to cool before cleaning.

### NOTICE

Do not use:

- abrasive cleaning compounds.
- chloride based cleaners.
- commercial or household cleaners containing ammonia.
- cleaners containing quaternary salts.

## Monthly cleaning procedure

To clean the warmer monthly, do the following.

Step	Action
1.	<b>Make sure</b> that the warmer is disconnected from electric power and cool.
2.	<b>Wipe</b> the outside of the warmer: <ul style="list-style-type: none"> <li>■ with a stainless steel cleaner, if stainless steel panels.</li> <li>■ with an all purpose cleaner, if painted panels.</li> </ul>
3.	<b>Clean</b> the interior of the warmer with a damp cloth.
4.	<b>Dry</b> the interior and exterior of the warmer with a clean, lint-free cloth. <b>Leave</b> the door open until the interior of the warmer completely dries.
5.	<b>Clean</b> each side of the window pane with glass cleaner or distilled vinegar.

*Continued on next page*

Continued from previous page

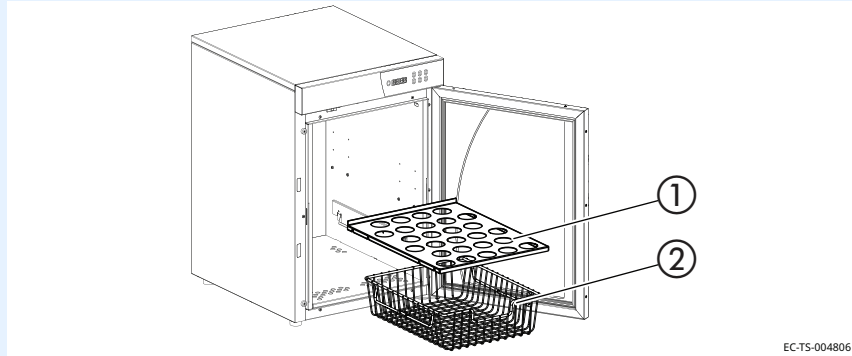
## Yearly cleaning procedure

To clean the warmer yearly, do the following.

Step	Action
------	--------

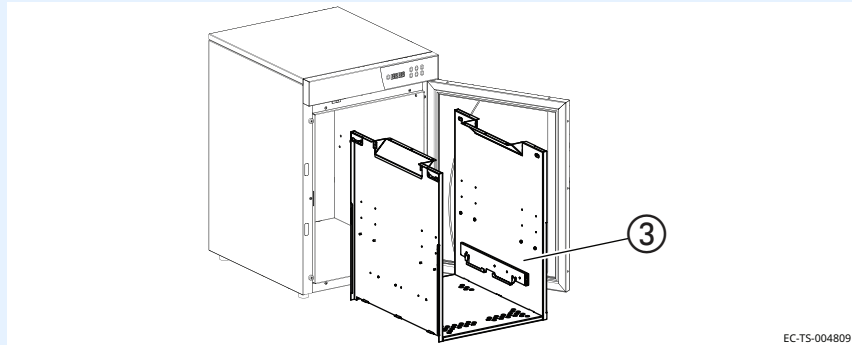
1.	<b>Make sure</b> that the warmer is disconnected from electric power and cool.
----	--

2.	<b>Remove</b> the shelf ① and/or basket(s) ② from the interior of the warmer.
----	---



EC-TS-004806

3.	<b>Remove</b> the panels ③ and bottom shelf from the interior of the warmer.
----	--



EC-TS-004809

4.	<b>Clean</b> the shelf, basket(s), and interior with a damp cloth.
----	--

5.	<b>Dry</b> the interior of the warmer with a clean, lint-free cloth.
----	--

**Leave** the door open until the interior of the warmer completely dries.

6.	<b>Clean</b> each side of the window pane with glass cleaner or distilled vinegar.
----	--

7.	<b>Re-install</b> the side panels, shelf, and basket(s).
----	--



**WARNING:** Personal injury hazard.

The fluids may overheat if the side panels and shelf/basket(s) are not in place. Make sure to re-install the side panels and shelf/basket(s) before operating the warmer.

## Result

The warmer is now clean.

# Warmer Disposal / Decommissioning

---

This product and its accessories must be disposed of according to local laws and regulations. Do not dispose of this product as unsorted municipal waste.

This page intentionally left blank.



# What to do if a Power Interruption Occurs

**Background**



You may need to reset the warmer in the case that a power interruption occurs. When the power is restored, the ON/OFF status indicator LED decimal flashes **EEF**.



The controller stores all settings and continues operation using these settings in the event of a power interruption.

**Procedure**

To continue operation of the warmer, do the following.

Step	Action
1.	<b>Press</b> the standby button  . The status indicator LED decimal goes out. If an error code displays, refer to topic <i>Error Codes</i> .
2.	<b>Make sure</b> the fluids are at the correct temperature before using.
 <b>NOTE:</b> Inspect the fluids for their expiration date before use.	


**Result**

Resume operation of the warmer.

TROUBLESHOOTING


# What to do if the Alarm Indicator Light Flashes

## Background

The alarm indicator light  flashes and the controller sounds an alarm when the warmer malfunctions.

## Procedure

If the alarm indicator light flashes, do the following.

Step	Action
1.	<b>Press</b> the standby button  to acknowledge and mute the alarm. The alarm indicator light goes off. Refer to the troubleshooting section for the error code.
2.	<b>Make sure</b> the fluids are the correct temperature before using.

## Result

Resume operation of the warmer.

# Error Codes

## Background

This section is provided for the assistance of qualified and trained service technicians only and is not intended for use by untrained or unauthorized service personnel. Failure to observe this precaution may void the warranty.



**NOTE:** If the warmer is not operating properly, check the following before calling an authorized service agent:

Verify that the power to the warmer is on.

If applicable, ensure the female end of plug is securely seated in the warmer and that the male end of plug is in an appropriate, functioning outlet.

If applicable, examine the fuses. Replace the fuses, refer to topic *How to Replace a Fuse*.

If applicable, examine the high limit manual reset button. If the high limit manual reset button is tripped, reset the warmer, refer to topic *How to Manually Reset the Warmer*.



**NOTE:** All non-critical codes can be cleared using the standby button. Critical errors (marked with a \*) can only be cleared by setting the power switch at the rear of the warmer to the off (O) position and allowing the warmer to cool.

### NOTICE

Do not attempt to repair or service the warmer beyond this point. Contact the manufacturer for the nearest authorized service agent. Repairs made by any other service agent without prior authorization by the manufacturer will void the warranty.

Code	Refers to	Action required
Display flashes set point	Cavity temperature higher than set point	Cavity temperature is higher than the set point temperature. <ul style="list-style-type: none"> <li>Allow cavity to cool to set point temperature.</li> </ul>

Code	Refers to	Action required
E-10 ES10 ES20 ES30 ES40 ES50 ES60 ES70	Cavity sensor Sensor 1 Sensor 2 Sensor 3 Sensor 4 Sensor 5 Sensor 6 Sensor 7	<p>Sensor is shorted. Software disengages heating pads. Acknowledge error by pressing the standby button. If error persists, a qualified service technician should test the sensor.</p> <ul style="list-style-type: none"> <li>■ Test the sensor. Detach the sensor from the warmer. Use an Ohm meter to measure the resistance of the sensor. Check the sensor at 25°C (77°F). If the reading is 10 KOhm ±1.5 KOhm, replace the display. If the reading is ±2 KOhm, replace the sensor.</li> <li>■ Check the wires for integrity. Inspect the connections at the control and terminal block to ensure proper and secure connections. If necessary, re-secure the faulty connections.</li> <li>■ Contact service if error persists.</li> </ul>
E-11 ES11 ES21 ES31 ES41 ES51 ES61 ES71	Cavity sensor Pad sensor 1 Pad sensor 2 Pad sensor 3 Pad sensor 4 Pad sensor 5 Pad sensor 6 Pad sensor 7	<p>Sensor is open. Software disengages heating pads. Acknowledge error by pressing the standby button. If error persists, a qualified service technician should test the sensor.</p> <ul style="list-style-type: none"> <li>■ Test the sensor. Disconnect the sensor from the warmer control PCB and use an Ohm meter to measure the resistance of the sensor. Sensor PR-37140 should measure 10 KOhm ± 1.5 KOhm at 25°C (77°F). Sensor SN-33541 should measure 100 Ohm ± 10 Ohm at 25°C (77°F). Replace sensor if measurement is outside of tolerance.</li> <li>■ Check the wires for integrity. Check for proper and secure connections at the control and terminal block. If necessary, re-secure the faulty connections.</li> <li>■ Contact service if error persists.</li> </ul>
E-30	Under temperature	<p>The blanket cavity temperature is lower than the set temperature for 90 minutes or longer.</p> <ul style="list-style-type: none"> <li>■ Make sure the door is closed.</li> <li>■ If the cavity is overloaded, redistribute the inventory. Do not exceed the height of the insert.</li> <li>■ Test the sensor. Disconnect the sensor from the warmer control PCB and use an Ohm meter to measure the resistance of the sensor. Sensor PR-37140 should measure 10 KOhm ± 1.5 KOhm at 25°C (77°F). Sensor SN-33541 should measure 100 Ohm ± 10 Ohm at 25°C (77°F). Replace sensor if measurement is outside of tolerance.</li> </ul>
*E-31	Cavity sensor	<ul style="list-style-type: none"> <li>■ The sensor reading is above the temperature set-point. Blanket warmer triggers at 15° over set-point. Fluid warmer triggers at 5° over set-point.</li> <li>■ The difference between the room temperature and the fluid set-point temperature must be greater than 11°C (20°F).</li> <li>■ Contact service if error persists.</li> </ul>

Code	Refers to	Action required
P131 P231 P331 P431 P531 P631 P731	Pad sensor 1 Pad sensor 2 Pad sensor 3 Pad sensor 4 Pad sensor 5 Pad sensor 6 Pad sensor 7	Heater pad over-temp error. <ul style="list-style-type: none"> <li>■ Software disengages heating pads.</li> <li>■ Acknowledge error by pressing the standby button.</li> <li>■ Allow the warmer to cool.</li> <li>■ Contact service if the error persists.</li> </ul>
*E-33	Cavity sensor	<ul style="list-style-type: none"> <li>■ Sensor reading is above maximum allowable temperature set-point and over temp value. Blanket warmers trigger at 82°C (180°F). Fluid warmers trigger at 71°C (160°F).</li> <li>■ Contact service if error persists.</li> </ul>
*E-50	Analog to Digital Converter Error	<ul style="list-style-type: none"> <li>■ Remove inventory, discard if necessary, and allow the warmer to cool down.</li> <li>■ If error persists after cool down and reset, the control assembly should be replaced by a qualified service technician. Contact service.</li> </ul>
E-60	Real Time Clock Checksum Error (Blanket warmers only)	Real time clock rechargeable battery backup has discharged. <ul style="list-style-type: none"> <li>■ Plug the warmer into the outlet for 30 minutes.</li> </ul>
*E-61	Real Time Clock (Blanket warmers only)	Real time clock not responding. Contact service if error persists.
E-62	Real Time Clock (Blanket warmers only)	Timer overlay is present, but no real time clock is detected. Contact service.
*E-70	Pad Count Error	More heater pads detected than set for. Hold the standby button for 12 seconds until display shows "PAd#" (# = number of pads selected [3-7]). Press up or down arrow to adjust to correct number of pads. [Blanket warmers: 1.5ft <sup>3</sup> , 2.5ft <sup>3</sup> = 3 pads, 3.5ft <sup>3</sup> , 4.0ft <sup>3</sup> , 7.5ft <sup>3</sup> = 4 pads. Fluid warmers: 2.5ft <sup>3</sup> & 4.0ft <sup>3</sup> = 3 pads].
*E-71	Personality Error	Contact service.
E-80	EEPROM Error	EEPROM not responding. Contact service if error persists.
*E-81	Calibration not locked	Contact service.
*E-83	EEPROM Error	Contact service for help resetting the control.
E-87	EEPROM Error	Stored offsets corrupted. Offsets reset to 0. <ul style="list-style-type: none"> <li>■ Control may need to be re-calibrated.</li> <li>■ Possible bad EEPROM.</li> <li>■ Contact service if error persists.</li> </ul>

Code	Refers to	Action required
E-90	Button stuck	A button has been held down for >60 seconds. Adjust control. Error will reset when the problem has been resolved.
E-95	Factory Test pin short detected.	Ensure that debris is not causing a short between the test pins. If the pins are clean, replace the control.
*E-98	Temperature Delta Error	<p>Temperature of the cavity sensors 1 and 2 differ by more than 3.3°C (6°F).</p> <ul style="list-style-type: none"> <li>■ Remove product and allow the warmer to cool down.</li> <li>■ Verify that the product sensor is clean and operating correctly.</li> <li>■ Set the power switch to the OFF position to clear the error code.</li> <li>■ If error persists, the cavity sensor should be replaced by a qualified service technician. Contact service.</li> </ul>
E-99	Hardware Over Temp	<ul style="list-style-type: none"> <li>■ Inspect the connections and condition of high limit bimetal thermostat.</li> <li>■ If applicable, make sure that the compartment fan motor is operating.</li> <li>■ Contact service if error persists.</li> </ul>
*EFA <sub>n</sub>	Fan or Fan Sensor Failure	<ul style="list-style-type: none"> <li>■ Check to make sure the fan sensor wires did not disconnect from the fan or the control board.</li> <li>■ If the error persists after checking the wires, replace the fan.</li> </ul>
Flashing yellow iv fluid temperature status indicator	Flashing yellow LED is illuminated within iv storage shelf	<ul style="list-style-type: none"> <li>■ Set the power switch to the OFF position.</li> <li>■ Remove any iv bags from inside the warmer.</li> <li>■ Set the power switch to the ON position.</li> <li>■ Visually check to see if flashing yellow LED remains illuminated.</li> <li>■ Contact service if error persists.</li> </ul>

\*All non-critical codes can be cleared using the standby button. Critical errors (marked with a \*) can only be cleared by setting the power switch at the rear of the warmer to the OFF position and allowing the warmer to cool.

# How to Replace a Fuse



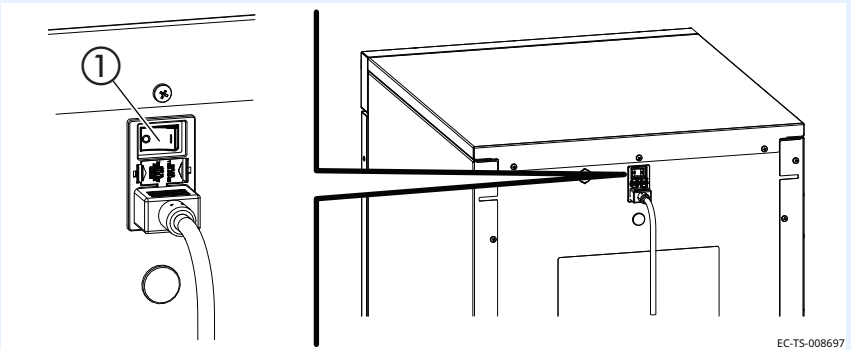

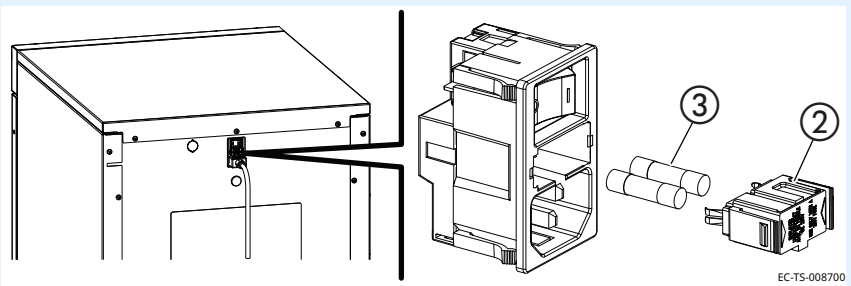



**WARNING:** Fire and electrical shock hazard.

Use only UL listed 10A, 250V fast acting fuses, 5mm x 20mm (F1, F2). Access should be made by qualified service technicians only.

## Procedure

To replace a fuse, do the following.

Step	Action
1.	<b>Press and hold</b> the standby button  until the screen turns off, then release the button.
2.	<b>Set</b> the power switch  to the OFF (0) position.
	 <p style="text-align: right; font-size: small;">EC-TS-008697</p>
3.	<b>Unplug</b> the power cord from the electric power source and the power inlet on the warmer.
4.	<b>Pinch</b> the side tabs and pull out the fuse drawer  .
	 <p style="text-align: right; font-size: small;">EC-TS-008700</p>
5.	<b>Remove</b> the fuse  .
6.	<b>Replace</b> the fuse with a new fuse.
7.	<b>Re-install</b> the fuse drawer.

## Result

The fuse has now been replaced.

This page intentionally left blank.



## Guidance and Manufacturer's Declaration

The warmer requires special precautions regarding EMC (Electromagnetic Compatibility) and needs to be installed and put into service according to the EMC information provided in the accompanying documents.

Portable and mobile RF communications equipment can affect medical electrical equipment.

A risk of increased emissions or decreased immunity may result if the power cord is altered or a manufacturer supplied power cord is not used.

The warmer should not be used adjacent to or stacked with other equipment.

The essential performance of the warmer is to not exceed an internal temperature of 180°F (82°C) for blanket warmers or 150°F (66°C) for fluid warmers.

### Electromagnetic emissions

The warmer is intended for use in the electromagnetic environment specified below.

Emission test	Compliance	Electromagnetic environment - guidance
RF emissions; CISPR 11	Group 1	The warmer uses RF energy only for internal function. Therefore, its RF emissions are very low and are not likely to cause any interference in nearby electronic equipment.
RF emissions; CISPR 11	Class A	The warmer is suitable for use in all establishments, other than domestic establishments and those directly connected to the public low-voltage power supply network that supplies buildings used for domestic purposes.
Harmonic emissions; IEC 61000-3-2	Class A	
Voltage fluctuations/Flicker emissions; IEC 61000-3-3	Complies without conditions	

*Continued on next page*

*Continued from previous page*

## Electromagnetic immunity

The warmer is intended for use in the electromagnetic environment specified below.

Immunity test	IEC 60601 test level	Compliance level	Electromagnetic environment - guidance
Electromagnetic discharge (ESD) IEC 61000-4-2	±8 kV contact ±8 kV air	±8 kV contact ±8 kV air	Floors should be wood, concrete or ceramic tile. If floors are covered with synthetic material, the relative humidity should be at least 30%.
Electrical fast transient/burst IEC 61000-4-4	±2 kV for power supply lines; ±1 kV for input/output lines	+2 kV for power supply lines	Main power quality should be that of a typical commercial or hospital environment. The warmer does not have any input/output lines.
Surge IEC 61000-4-5	±1 kV differential mode; ±2 kV common mode	±1 kV differential mode; ±2 kV common mode	Mains power quality should be that of a typical commercial or hospital environment.
Voltage dips, short interruptions and voltage variations on power supply input lines IEC 61000-4-11	<5% UT (>95% dip in UT) for 0.5 cycle 40% UT (60% dip in UT) for 5 cycles 70% UT (30% dip in UT) for 25 cycles <5% UT (>95% dip in UT) for 5 sec	<5% UT (>95% dip in UT) for 0.5 cycle 40% UT (60% dip in UT) for 5 cycles 70% UT (30% dip in UT) for 25 cycles <5% UT (>95% dip in UT) for 5 sec	Mains power quality should be that of a typical commercial or hospital environment. If the user of the warmer requires continued operation during power mains interruptions, it is recommended that the warmer be powered from an uninterrupted power supply or a battery.
Power frequency (50/60 Hz) magnetic field IEC 61000-4-8	3 A/m	3 A/m	Power frequency magnetic fields should be at levels characteristic of a typical location in a typical commercial or hospital environment.

**NOTE:** UT is the a.c. mains voltage prior to application of the test level.

*Continued on next page*

Continued from previous page

## Electromagnetic emissions

The warmer is intended for use in the electromagnetic environment specified below.

Immunity test	IEC 60601 test level	Compliance level	Electromagnetic environment - guidance
Conducted RF IEC 61000-4-6  Radiated RF IEC 61000-4-3	3 V/m 150 kHz to 80 MHz  3 V/m 80 MHz to 2.5 GHz	3 V/m	<p>Portable and mobile RF communications equipment should be used no closer to any part of the warmer, including cables, than the recommended separation distance calculated from the equation applicable to the frequency of the transmitter.</p> <p>Recommended separation distance</p> $d = [3.5/3] \sqrt{P}$ $d = [3.5/3] \sqrt{P} \text{ 80 MHz to 800 MHz}$ $d = [7/3] \sqrt{P} \text{ 800 MHz to 2.5 GHz}$ <p>where P is the maximum output power rating of the transmitter in watts (W) according to the transmitter manufacturer and d is the recommended separation distance in meters (m).</p> <p>Field strengths from fixed RF transmitters, as determined by an electromagnetic site survey<sup>1</sup>, should be less than the compliance level in each frequency range<sup>2</sup>.</p> <p>Interference may occur in the vicinity of equipment marked with the following symbol:</p>

**NOTE:** At 80 MHz and 800 MHz, the higher frequency range applies. These guidelines may not apply in all situations. Electromagnetic propagation is affected by absorption and reflection from structures, objects and people.

1. Field strengths from fixed transmitters, such as base stations for radio (cellular/cordless) telephones and land mobile radios, amateur radio, AM and FM radio broadcast and TV broadcast cannot be predicted theoretically with accuracy. To assess the electromagnetic environment due to fixed RF transmitters, an electromagnetic site survey should be considered. If the measured field strength in the location in which the warmer is used exceeds the applicable RF compliance level above, the warmer should be observed to verify normal operation. If abnormal performance is observed, additional measures may be necessary, such as reorienting or relocating the warmer.

2. Over the frequency range 150 kHz to 80 MHz, field strengths should be less than [VI] V/m.

Continued on next page

Continued from previous page

## Electromagnetic immunity distance

The warmer is intended for use in an electromagnetic environment in which radiated RF disturbances are controlled. The user of the warmer can help prevent electromagnetic interference by maintaining a minimum distance between portable and mobile RF communications equipment (transmitters) and the warmer as recommended below, according to the maximum output power of the communications equipment.

Rated maximum output power of transmitter W	Separation distance according to frequency of transmitter m		
	150 kHz to 80 MHz $d = \left[ \frac{3.5}{3} \right] \sqrt{P}$	80 MHz to 800 MHz $d = \left[ \frac{3.5}{3} \right] \sqrt{P}$	800 MHz to 2.5 GHz $d = \left[ \frac{7}{3} \right] \sqrt{P}$
0.01	0.117	0.117	0.233
0.1	0.369	0.369	0.738
1	1.167	1.167	2.333
10	3.689	3.389	7.379
100	11.667	11.667	23.333

For transmitters rated at a maximum output power not listed above, the recommended separation distance  $d$  in meters (m) can be estimated using the equation applicable to the frequency of the transmitter, where  $P$  is the maximum output rating of the transmitter in watts (W) according to the transmitter manufacturer.

**NOTE:** At 80 MHz and 800 MHz, the separation distance for the higher frequency range applies. These guidelines may not apply in all situations. Electromagnetic propagation is affected by absorption and reflection from structures, objects and people.

# Warranty

## Introduction

Enthermics Medical Systems warrants to the original purchaser only, that any original part found to be defective in material or workmanship will be replaced with a new or rebuilt part at Enthermics option, subject to provisions hereinafter stated.

## Warranty Period

The warranty period is as follows:

- For warming cabinets shipped to the United States or Canada,
  - The labor warranty remains in effect for one (1) year from installation or fifteen (15 months) from the shipping date, whichever comes first. Enthermics will bear normal labor charges performed during the standard business hours, excluding overtime, holiday rates or any additional fees.
  - The original parts warranty remains in effect five (5) years from installation of appliance or sixty-three (63) months from the shipping date, whichever comes first.
- For warming cabinets shipped outside of the United States or Canada,
  - The original parts warranty is one (1) year from the date of installation of appliance or fifteen (15) months from the shipping date, whichever comes first.
- To be valid, a warranty claim must be asserted during the applicable warranty period. This warranty is not transferable.

## Exclusions

This warranty does not apply to:

- Calibration.
- Equipment damage caused by accident, shipping, improper installation or alteration.
- Equipment used under conditions of abuse, misuse, carelessness or abnormal conditions, including but not limited to, equipment subjected to harsh or inappropriate chemicals, including but not limited to, compounds containing chloride or quaternary salts, poor water quality, or equipment with missing or altered serial numbers.
- Any losses or damage resulting from malfunction, including the loss of contents or consequential or incidental damages of any kind.
- Equipment damage caused by use of any cleaning agents other than those recommended by Enthermics, including but not limited to damage due to chlorine or other harmful chemicals.
- Equipment modified in any manner from original model, substitution of parts other than factory authorized parts, unauthorized removal of any parts including legs, or unauthorized addition of any parts.

*Continued on next page*

*Continued from previous page*

- Collateral or incidental damage as a direct result of servicing equipment built into a wall structure is not covered under warranty. It is the responsibility of the owner to bear all expense related structural repairs including, but not limited to, external electrical connections and wiring, and the removal or replacement of caulk, grout, tile, or wall covering of any kind. A service access panel for built-in equipment installations is strongly recommended.

## **Conclusion**

This warranty is exclusive and is in lieu of all other warranties, express or implied, including the implied warranties of merchantability and fitness for a particular purpose. No person except an officer of Enthermics is authorized to modify this warranty or to incur on behalf of Enthermics any other obligation or liability in connection with Enthermics equipment.





Printed in the U.S.A.

Specifications are subject to change without notice.

**Enthermics Medical Systems**  
An ISO 13485:2016 certified company  
W164 N9221 Water St  
Menomonee Falls, WI 53051  
262-251-8356 | 800-TO-B-WARM  
generalinfo@enthermics.com  
www.enthermics.com

Made in the U.S.A